



# Flat Bellows

## Customer Information

Company \_\_\_\_\_  
 Address \_\_\_\_\_  
 City \_\_\_\_\_ State \_\_\_\_ Zip \_\_\_\_\_  
 Contact \_\_\_\_\_  
 Phone \_\_\_\_\_ Fax \_\_\_\_\_  
 Email \_\_\_\_\_

## Project Information

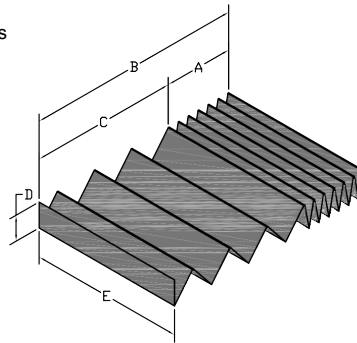
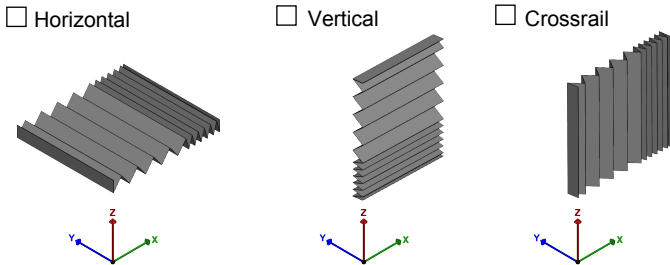
Project/Reference \_\_\_\_\_ Qty Required \_\_\_\_\_  
 Application \_\_\_\_\_  
 Replacement Cover     New Design     Nabell Design  
 Acceleration \_\_\_\_\_ Speed \_\_\_\_\_ Cycles/day \_\_\_\_\_  
 Requested Material: \_\_\_\_\_  Nabell Recommended

If unit of measure is not shown, please specify

## Application Information

Bellows/Cover Construction:     Nabell Recommendation     Heat-Sealed     Folded     Sewn     Sewn/Folded

Orientation: Please supply a sketch/drawing/CAD File/model (.dwg, .dxf, .stp, .sldprt) or photos



A (Min) \_\_\_\_\_  
 B (Max) \_\_\_\_\_  
 C (Stroke) \_\_\_\_\_  
 D (Pitch) \_\_\_\_\_  
 E (Width) \_\_\_\_\_

## Environmental Conditions/Protection

Chemicals/Coolant specify type, % concentration, MSDS \_\_\_\_\_  
 Exposure:     Mist     Heavy Spray     Flooded     Submerged  
 Chips/Particles specify type, size & temp at bellows \_\_\_\_\_ °F °°C  
 Pressures internal \_\_\_\_\_ external \_\_\_\_\_ difference \_\_\_\_\_  
 Clean Room class \_\_\_\_\_  ISO     FED    Electrostatic (specify) \_\_\_\_\_  
 Water/Moisture specify type \_\_\_\_\_  
 Safety/Dust Cover specify \_\_\_\_\_  
 Weld Spatter/Sparks (Distance from bellows) \_\_\_\_\_  
 Ambient Temp Range \_\_\_\_\_ to \_\_\_\_\_    Intermittant Temp Range \_\_\_\_\_ to \_\_\_\_\_ °F °°C

### Misc Information

Food Grade/FDA  
 Laser \_\_\_\_\_  
 Water Jet  
 Plasma Cutter  
 Outdoors  
 Other specify \_\_\_\_\_

Notes \_\_\_\_\_

## Standards/Requirements

REACH: \_\_\_\_\_     RoHS: \_\_\_\_\_     COC: \_\_\_\_\_     FAIR: \_\_\_\_\_  
 CONFLICT Minerals: \_\_\_\_\_     Special Req: \_\_\_\_\_

## Mounting Options

End 1:     Flange     Holes required (specify/provide drawing) \_\_\_\_\_     No Holes required     No Flange required  
            Hook and Loop (velcro)     Cuff Attachment Dimensions \_\_\_\_\_     Other \_\_\_\_\_  
 End 2:     Flange     Holes required (specify/provide drawing) \_\_\_\_\_     No Holes required     No Flange required  
            Hook and Loop (velcro)     Cuff Attachment Dimensions \_\_\_\_\_     Other \_\_\_\_\_

Will bellows be supported during operation?     C-Channel     Z-Channel     Cable/Rod     Other \_\_\_\_\_     No support  
 (Nabell recommends providing a method of capture to control any deviation from the intended travel path)