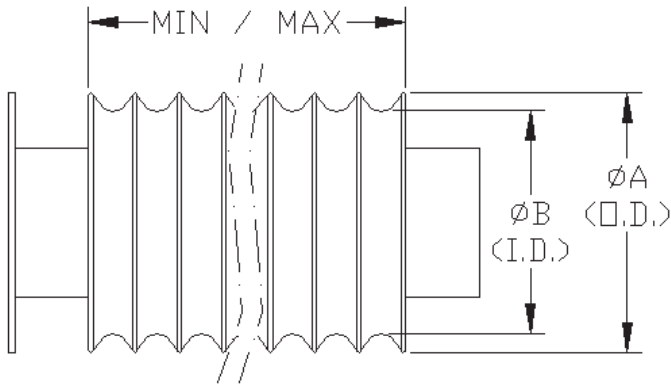




# NABELL Custom Round Bellows

208 Charter Street Albemarle, NC 28001 Phone: (800) 650-2015 Fax: (704) 986-2456 Email: info@nabell.com



Please provide the required dimensions below so that we can provide you an accurate quotation

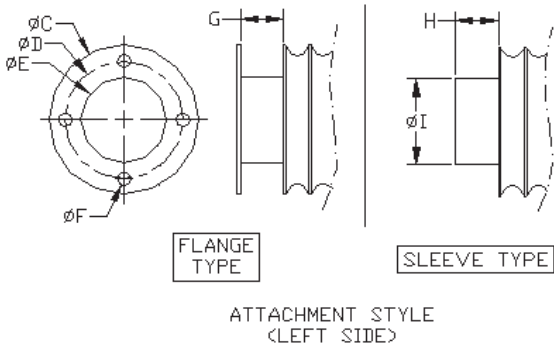
ØA:

ØB:

MIN:

MAX:

QUANTITY NEEDED:



## ATTACHMENT METHOD (LEFT END)

Please select attachment method and provide appropriate dimensions...

STYLE

ØC:

ØF:

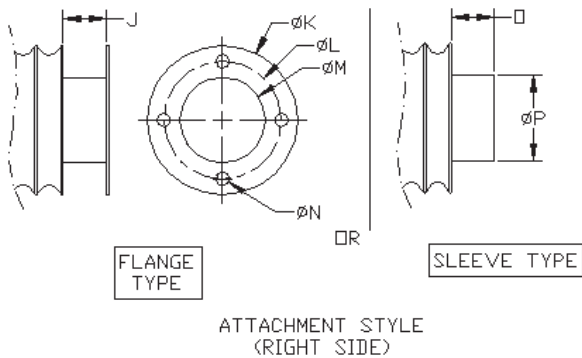
H:

ØD:

G:

ØI:

ØE:



## ATTACHMENT METHOD (RIGHT END)

Please select attachment method and provide appropriate dimensions...

STYLE

J:

ØM:

ØO:

ØK:

ØN:

ØP:

ØL:

Please tell us a little about the application. Axis, speed, environment, or anything you feel may affect the bellows performance...

NAME

COMPANY

TELEPHONE

EMAIL